

## REFRIGERATED EVIDENCE LOCKERS

LOCKERS

The need for new technology in laboratory refrigeration for the law enforcement industry has never been greater. Tiffin Metal Products has accepted the challenge and added an exclusive line of refrigeration products to our extensive locker line. These units meet all UL standards for product safety and performance.

### FEATURES:

- Pass-Thru or Non Pass-Thru
- Stainless steel, inside and out
- Interior locks have uniquely coded security lock with replaceable cylinder and proprietary keying system (master keyed). (Keyless option is available)
- Multiple door inserts (see configurations on reverse side)
- Forced air circulation
- Electric condensate removal
- Industrial grade hermetically sealed compressor
- High density CFC-free urethane foam insulation
- Factory set at +4 degrees Celsius
- 42½" & 82" heights available
- Refrigerator or Freezer
- Digital readout thermometer
- Standard alarm



**82" HIGH MODEL**

Overall size: 36" W x 24" D x 82" H (Includes Base)

Power requirements: 115 VAC, 60 Hz, dedicated 15 amp circuit



**42½" HIGH MODEL**

Overall size: 24" W x 24" D x 42½" H (Includes Base)

Power requirements: 115 VAC, 60 Hz, dedicated 15 amp circuit

**GSA Advantage!**<sup>®</sup>



Manufacturing Quality Metal Products Since 1903

Tiffin Metal Products  
450 Wall Street  
Tiffin, Ohio, 44883

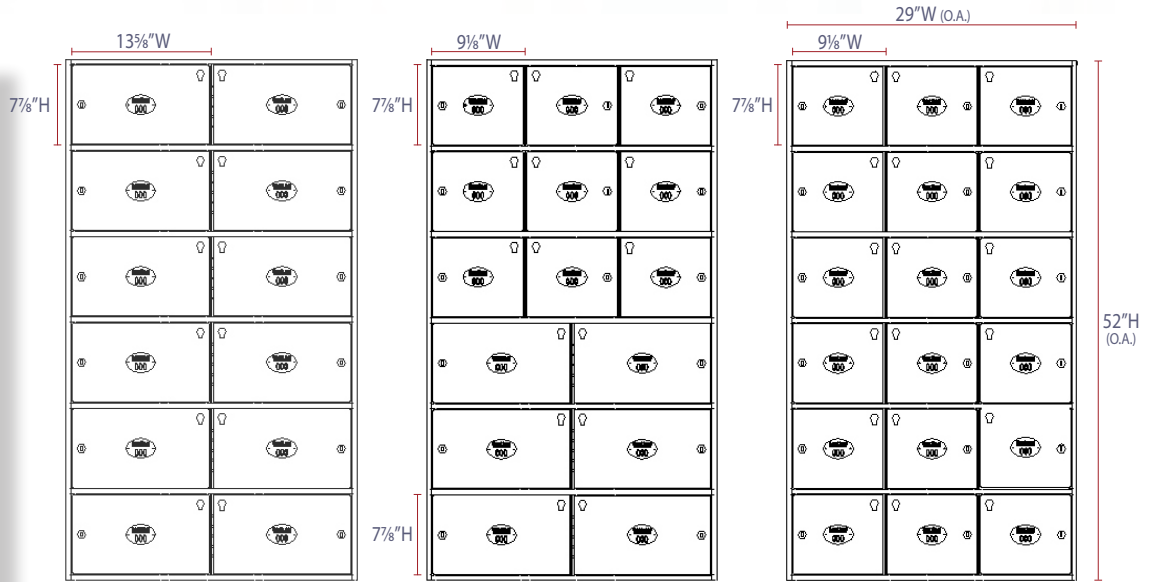
Phone: 800-537-0983  
Fax: 419-447-5175

email: [sentinellockers@tiffinmetal.com](mailto:sentinellockers@tiffinmetal.com)  
[www.tiffinmetal.com](http://www.tiffinmetal.com)  
[www.sentinellockers.com](http://www.sentinellockers.com)

## REFRIGERATED EVIDENCE LOCKER CONFIGURATIONS



**INSIDE VIEW - 82" HIGH MODEL**  
(shown with 14 door special insert)



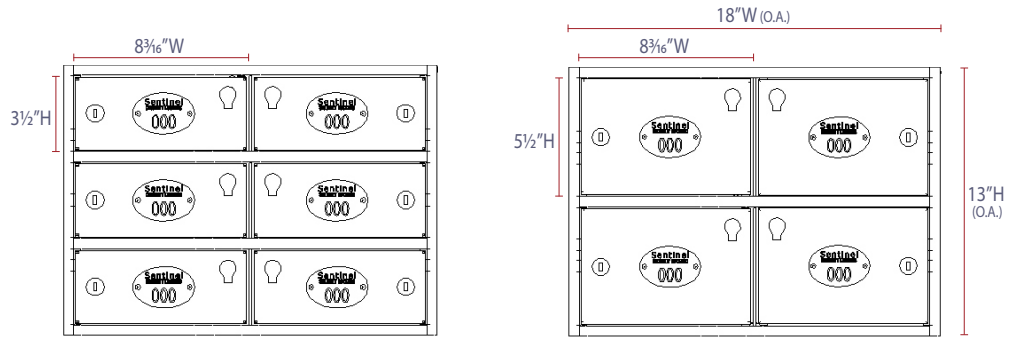
**12 DOOR INSERT**

**15 DOOR INSERT**

**18 DOOR INSERT**

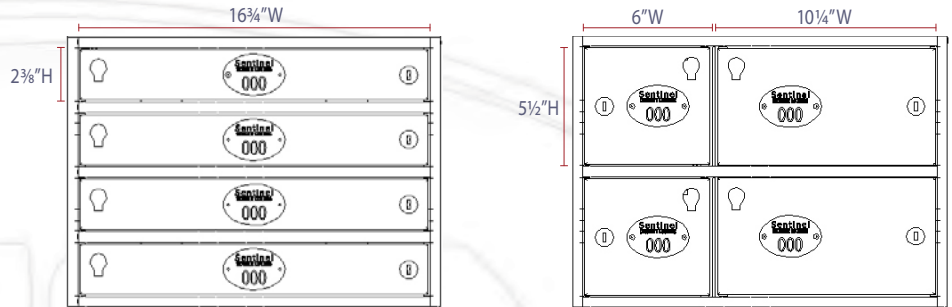


**INSIDE VIEW - 42 1/2" HIGH MODEL**  
(shown with 6 door regular insert)



**6 DOOR REGULAR INSERT**

**4 DOOR REGULAR INSERT**



**4 DOOR HORIZONTAL INSERT**

**4 DOOR IRREGULAR INSERT**

