



*Top, bottom, sides  
and hinges are  
constructed of durable  
14 gauge steel with  
16 gauge shelves and  
reinforced doors.*

**AIRFLOW™**  
WARDROBE LOCKER  
*"The Next Generation"*



*The Airflow Wardrobe Locker is perforated throughout  
to allow a positive flow of air.*

**Sentinel®**  
Law Enforcement Lockers



450 Wall Street • Tiffin, Ohio 44883  
Toll free: 800-537-0983 • Phone: 419-447-8414 • Fax: 419-447-8512  
www.sentinellockers.com • Email: sentinel@tiffinmetal.com



Made with pride in the USA

3-1-09

**AIRFLOW™**  
WARDROBE LOCKER  
*"The Next Generation"*



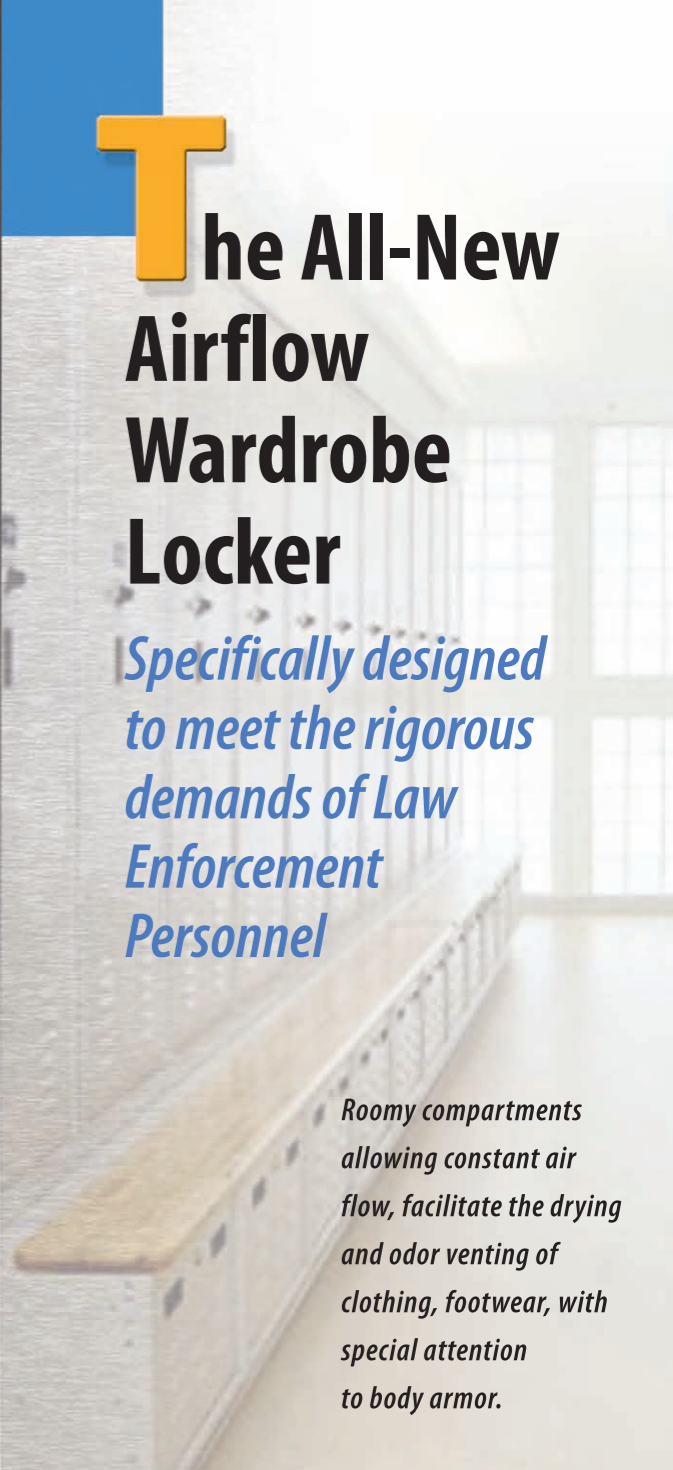
**Sentinel®**  
Law Enforcement Lockers



MANUFACTURING QUALITY  
METAL PRODUCTS SINCE 1903

# The All-New Airflow Wardrobe Locker

*Specifically designed  
to meet the rigorous  
demands of Law  
Enforcement  
Personnel*



*Roomy compartments  
allowing constant air  
flow, facilitate the drying  
and odor venting of  
clothing, footwear, with  
special attention  
to body armor.*

# AIRFLOW™ WARDROBE LOCKER

*"The Next Generation"*

## Hang Panel

Peg board style panel with hooks for hanging duty belt

## Three Small Shelves\*

Each unit comes with 3 side shelves. Two shelves are 8"H x 7"W x 13.9"D. One shelf is 10.9"D to allow radio placement. One compartment has a standard knock-out to allow for electricity to be run into locker (provided by others). All shelves stop 2" from rear of locker to allow a positive flow of fresh air.

## Mirror

Unbreakable mirror is adjustable for personal preference

## Security Compartment

One shelf is constructed with a lockable security door.

## Door Pocket

A large pocket mounted on the door provides storage for police clipboard

## Body Armor Compartment

A separate compartment for body armor provides Airflow for more efficient drying, increasing longevity.

## Boot Tray

A perforated metal tray keeps boots from sitting in water for faster drying. Removable for easy cleaning.

## Strategic Venting\*

Perforations are placed throughout the locker and drawer unit to allow fresh air in, moisture and odors out.

## Perforated Top to Allow Airflow

For ventilation, ductwork (plenum) can be built on top of lockers or air can be drawn through the lockers using optional sloping tops.

## Two Large Shelves

briefcase shelf: 4.9"H x 13.9"D x full width  
headgear shelf: 7.8"H x 20.7"D x full width

## Large Hanging Section

Coat rack bar helps to keep clothing apart for better Airflow, increasing garment life. Width varies with unit.

## Side Panel Hooks

Single hooks on either side provide additional storage for personal accessories.

## Locking Options

Equipped with master-keyed combination lock, or key-operated wing lock. Padlock-ready models are also available.

## Durable Steel Construction

Top, bottom and sides, 14 gauge, shelves and reinforced doors, 16 gauge, cold-rolled steel conforming to ASTM A366. Continuous full length hinges 14 gauge. All powder coated steel construction. (Stainless Steel available)

## Optional Keyless Drawer Unit\*

Keyless Locking, 36" deep drawer is constructed with heavy-duty 200 lb. drawer slides, heavy-gauge perforated handle, and a 9.5" butcher block hardwood bench. Holds duty bags, file containers, or personal effects.

## Slam Latch Design

Door is simply pushed closed for ease of use

*The Airflow Locker is one of the most requested items in the renovation or construction of Law Enforcement Facilities.*

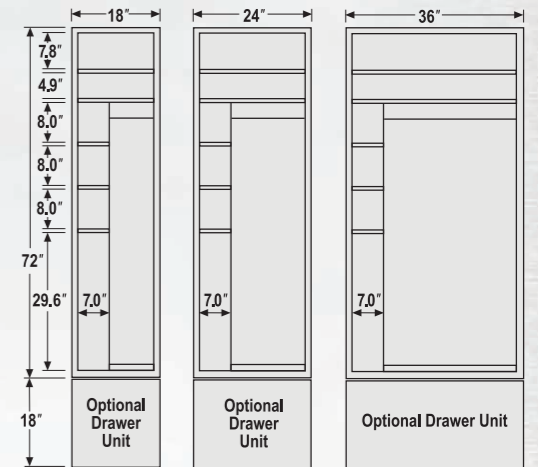
*Here's what some of our customers had to say:*

*"We wanted to show the officers we cared."*

Chief Richard P. Emerson  
Chula Vista, CA

*"What you see in the picture is nothing compared to seeing the real thing."*

Deputy Chief Mark Arnold  
Waite Park, MN



## AVAILABLE IN THREE SIZES

Locker & drawer unit shipped completely assembled (2 pieces) for easy installation. The 18" wide locker comes with a single door.

Please call us with your custom requirements.

**800-537-0983**

**Sentinel®**  
Law Enforcement Lockers

\* denotes new feature