



Aurora Shelving

Assembly Instructions

NO. 3501-A

IMPORTANT-Before You Start

Before you begin assembly of your shelving sections:

1. Check your floor plan. Assemble sections from left to right.
2. Check that all items have been received.
3. Check that floor will support shelving load. It is the end user's responsibility to provide adequate flooring for the system and its application.

IT IS THE CUSTOMER'S (USER'S) RESPONSIBILITY TO PROVIDE FOR ANCHORING SHELVING.

WARNING!

Storage units that are unlevelled or not properly anchored can be accidentally tipped over causing serious bodily injury.

Use wall ties and floor anchors to fasten units to the building. Use aisle ties to anchor multiple units to each other.

Floor shims may be used for leveling. These items available in the current price list.

All units should be anchored to prevent accidental tipping. Refer to Assembly Instructions.

General Assembly Instructions

1. Always assemble sections from the bottom up.
2. Always assemble additional sections from left to right, and from the bottom up. Do not start the next section until first section is completed.
3. Always seat each shelf support as it is installed by tapping each end with a rubber mallet. This drives the rivets into tight engagement with the keyhole in the upright posts to provide a rigid unit.
4. Insure that uprights are leveled at the bottom, and plumb on all additional sections by using shims (available from factory) as required. Proper fit of parts on the additional sections will be adversely affected if they are not level. This is especially important when backs or door units will be added (see applicable Assembly Instructions).
5. If backs are provided, install the backs before installing rear shelf supports. If shelf supports are assembled first, it will be impossible to insert the back.
6. Door units and ledge tops should be added after sections have been assembled. See applicable Assembly Instructions.

Related Instruction Sheets

Before beginning assembly of your shelving, refer to the following related instruction sheets as applicable.

Aurora Shelving Product	Assembly Instruction No.
Hinged Doors	3502
Sliding Doors	3503

RICHARDS • WILCOX
Aurora Shelving

Detailed Assembly Instructions

If Optional Back is Used:

The back must be positioned between the rear upright posts BEFORE rear shelf supports are installed.

1. With offset flange at top of back and facing forward, place the back between the rear upright posts. Figure 1.
2. Install shelf supports in the rear upright at the top and in second and third holes from the bottom with ears facing down. This will lock the back into position between the upright posts. Figure 1.

Uprights and Shelf Supports

If optional back is not used, position uprights and insert temporary shelf support in rear upright at eye level for proper spacing. Place bottom shelf support at back of section in second and third holes of the rear upright with ears facing down.

If Optional Front Base is Used

1. If optional front base is used, position it inside upright posts before permanently inserting bottom front shelf support. Figure 2.
2. Place bottom shelf support in front upright in second and third holes from the bottom with ears facing down. Front shelf support locks optional front base in place. Seat shelf supports by tapping at each end with a rubber mallet to drive rivets firmly into key-hole slots. Figure 2.

If Optional Shelf Reinforcements are Used:

For extra heavy or unevenly distributed loads, adjustable shelf reinforcements may be positioned about 4" to 6" in from the end of the upright. Figure 3.

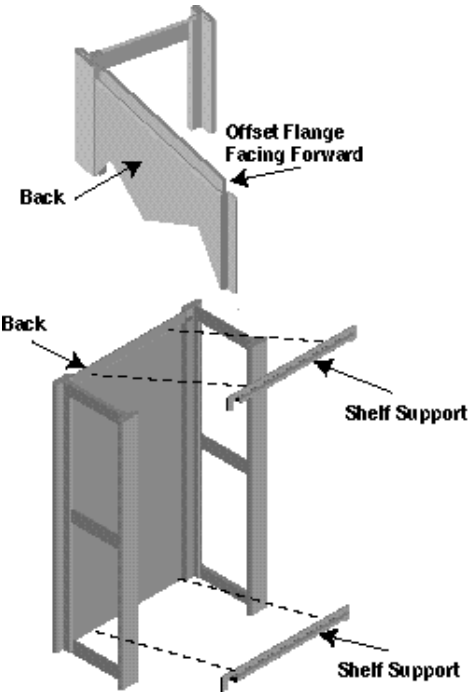


Figure 1

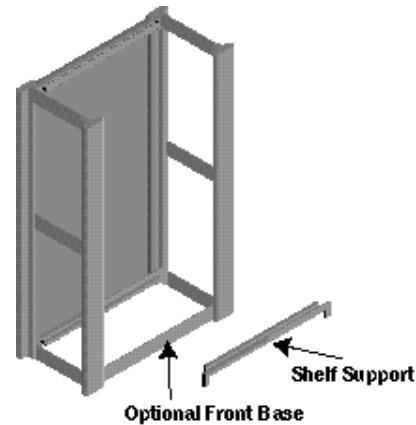


Figure 2

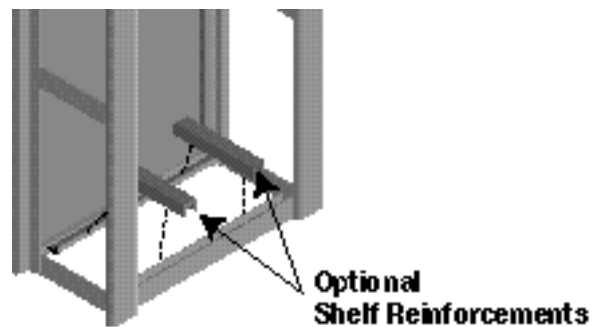


Figure 3

Shelves

1. Shelves should be tilted in, as shown. Note that end shelf flange is placed inside the upright spacer, or upright closed panel. Fit shelf over bottom shelf supports. Figure 4.
2. Add two more shelf supports at the next shelf location, place another shelf; and continue up the section. Always seat each shelf support, as it is installed by tapping each end with a rubber mallet. Figure 5.
3. Add-On sections are installed by using keyhole slots on the common center T-uprights. Figure 5.

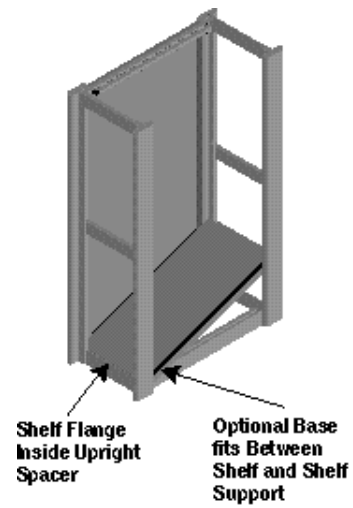


Figure 4

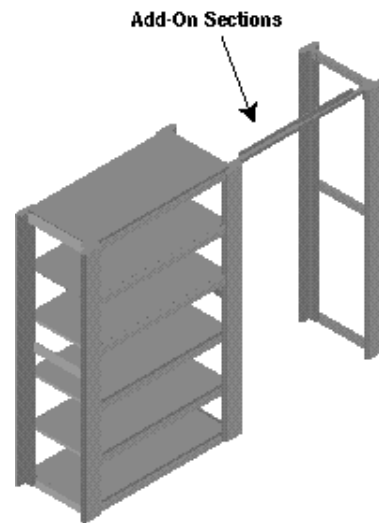


Figure 5

If Connecting Sections Back to Back:

1. Use a U-clip to join the sections together at the bottom posts (under bottom shelf) Figure 6.
2. Use a clothespin clip to join sections together at the top of posts for back to back shelving. Figure 7.

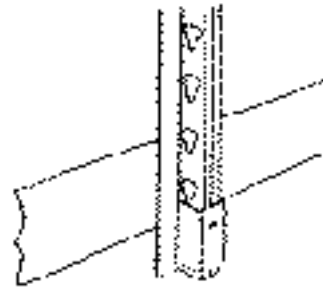


Figure 6

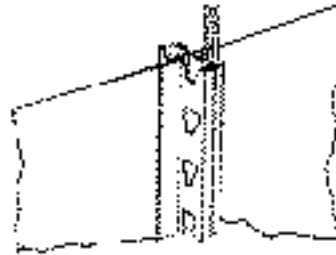


Figure 7

Wall Anchoring:

Anchor sections to the wall using a standard wall anchor as shown at each upright. Figure 8.



Figure 8

Anchoring To Opposite Sections Across an Aisle.

To anchor two sections to one another, use a standard aisle tie at each upright. Figure 9.

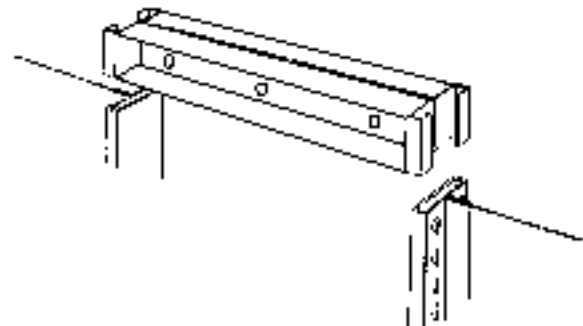


Figure 9

RICHARDS • WILCOX
Aurora Shelving